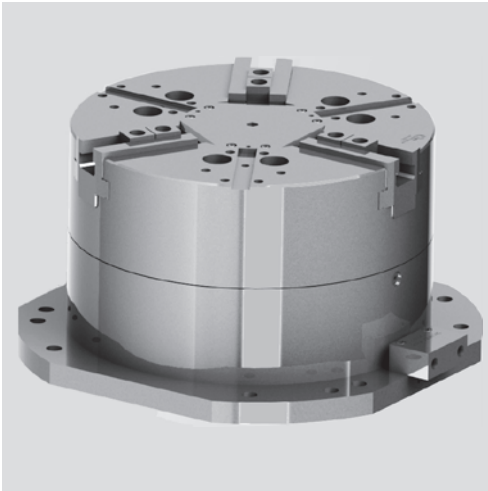


# US-Large Diameters

Pneumatic static cylinder for  
2 or 3 or 4 jaws

## Stationary cylinder + chuck unit Ø 400 - 800 mm

- option for serrated or Tongue & Groove jaws
- option of sealed or not sealed chucks
- option of 2/3/4 jaws depending on chuck size and model
- option of long or short stroke depending on chuck size & model



### Application/customer benefits

Gripping of large components on vertical or horizontal machining centers.

### Technical features

- Standard pneumatic cylinder to be equipped with various type of chucks:
  - 2/3/4 jaws versions depending on chuck model and diameter.
  - Sealed or not sealed chucks with serrated or Tongue & Groove master jaw available
  - Normal or long stroke depending on chuck model and diameter.
- Permanent air pressure required.
- Optional SAB safety valve to hold pressure during pallet transfer.

**Remark:** the clamping unit is made of standard cylinder + eventual connection kit (for AP and APL chucks only) + chuck to be selected.  
For chuck details, please see the technical data of the selected chuck.

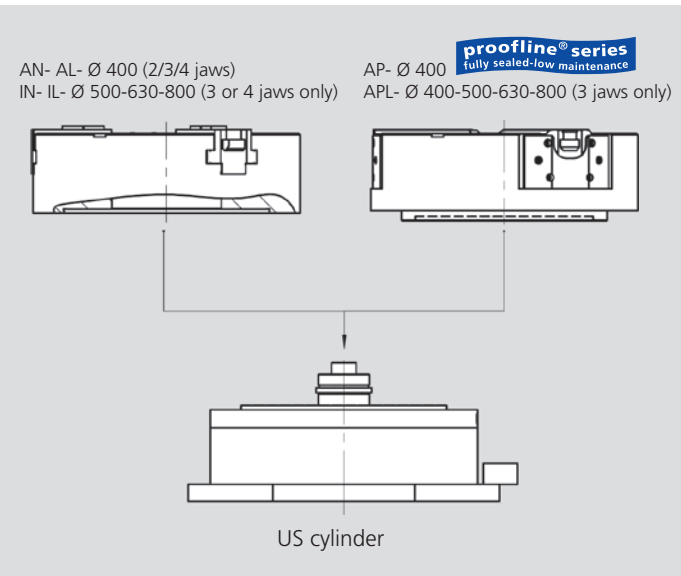
### Standard equipment

Static cylinder with connecting parts for IN/IL chucks.

For AP and APL chucks a specific connecting kit must be added.

### Ordering example

Please see the below table for part numbers and part descriptions.



- **US-AN** = cylinder equipped with a 3 jaw chuck type AN- (normal stroke). Chuck Ø 400 mm
- **US-AL** = cylinder equipped with a 3 jaw chuck type AL- (long stroke). Chuck Ø 400 mm
- **US-IN** = cylinder equipped with a 3 jaw chuck type IN- (normal stroke). Chuck Ø 500 to 800 mm
- **US-IL** = cylinder equipped with a 3 jaw chuck type IL- (long stroke). Chuck Ø 500 to 800 mm
- **US-AP** = cylinder equipped with a 3 jaw chuck type AP- (normal stroke). Chuck Ø 400 mm
- **US-APL** = cylinder equipped with a 3 jaw chuck type APL- (long stroke). Chuck Ø 400 to 800 mm

**proofline® series**  
fully sealed-low maintenance

**proofline® series**  
fully sealed-low maintenance

## Technical data

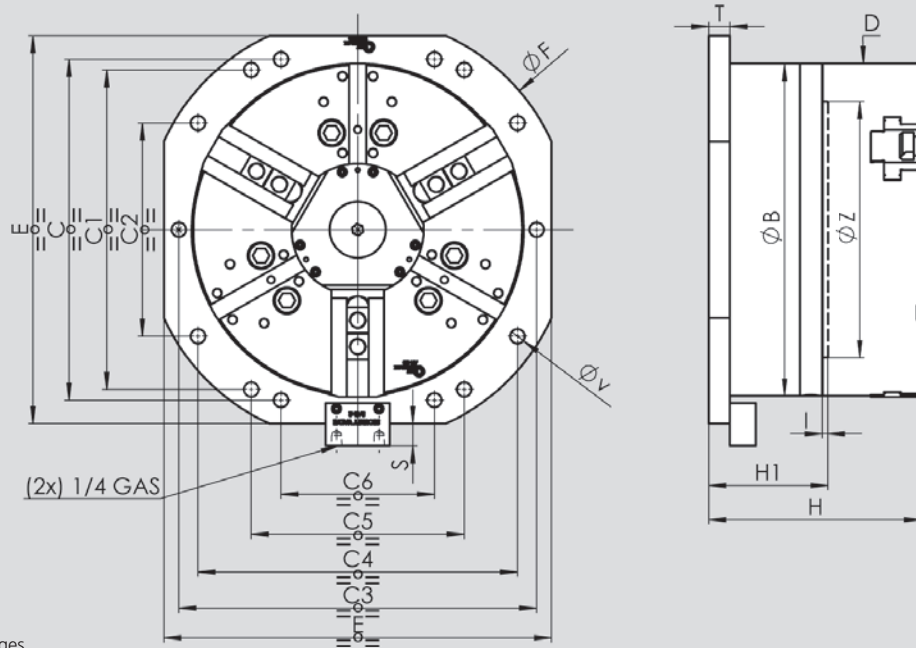
SMW-AUTOBLOK Type		US-400 AN/AL	US-400 AP/APL	US-500 APL	US-630 APL	US-800 APL	US-500 IN/IL	US-630 IN/IL	US-800 IN/IL
Piston area-chuck open	cm <sup>2</sup>	800	800	1256	1256	1256	1256	1256	1256
Piston area-chuck closed	cm <sup>2</sup>	760	760	1211	1211	1211	1211	1211	1211
Max operating pressure	bar	7	7	7	7	7	7	7	7
Masse of cylinder unit	Kg	118	118						
Gripping force at 6 bar "N"	KN	135	125	-	-	-	175	175	175
Gripping force at 6 bar "L"	KN	80	80	130	130	130	130	130	130

## Stationary cylinder + chuck unit Ø 400 - 800 mm

- option for serrated or Tongue & Groove jaws
- option of sealed or not sealed chucks
- option of 2/3/4 jaws depending on chuck size and model
- option of long or short stroke depending on chuck size & model

## US-Large Diameters

Pneumatic static cylinder for 2 or 3 or 4 jaws



Subject to technical changes  
For more detailed information please ask for customer drawing

SMW-AUTOBLOK Type		US-400 AN/AL	US-400 AP/APL	US-500 APL	US-630 APL	US-800 APL	US-500 IN/IL	US-630 IN/IL	US-800 IN/IL
B	mm	390	390	475	475	475	475	475	475
C	mm	400	400	-	-	-	-	-	-
C1	mm	375	375	300	300	300	300	300	300
C2	mm	250	250	-	-	-	-	-	-
C3	mm	-	-	500	500	500	500	500	500
C4	mm	375	375	400	400	400	400	400	400
C5	mm	250	250	-	-	-	-	-	-
C6	mm	180	180	-	-	-	-	-	-
D	mm	390	390	500	630	800	510	630	800
E	mm	455	455	525	525	525	525	525	525
E1	mm								
ØF	mm	500	500	538	538	538	538	538	538
H	mm	250	273	300	310	330	270	290	290
H1	mm	140	140	146	146	146	146	146	146
Piston area	mm	7	7	7	7	7	7	7	7
T	mm	25	25	25	25	25	25	25	25
ØV	mm	17	17	17	17	17	17	17	17
ØZ h7	mm	300	300	380	380	380	380	380	380

## Ordering review

SMW-AUTOBLOK Size	400	500	630	800
A: Cylinder p/n (for all versions)	97504004	97506302	97506302	97506302
B: Kit p/n (only for "AP" and "APL" chucks)	97634004	97636302	97636302	97646302

- If the cylinder must operate a IN/IL or a AN/AL chuck (with 2/3/4 jaws and various jaw types), only the p/n in line A must be purchased. The chuck is not included in the above p/n.
- If the cylinder must operate a AP/APL chuck (only 3 jaws available and various jaw types), both p/ns in line A and B must be purchased. The chuck is not included in the above p/n.
- For technical information on the chucks, please see the specific catalogue page.
- For the chucks p/ns, please see our price lists or ask a quotation to your nearest SMW-AUTOBLOK office.

